

## AR20(\*)-B to AR60(\*)-B, Regulator & Regulator w/Backflow Function AR20-F02-B

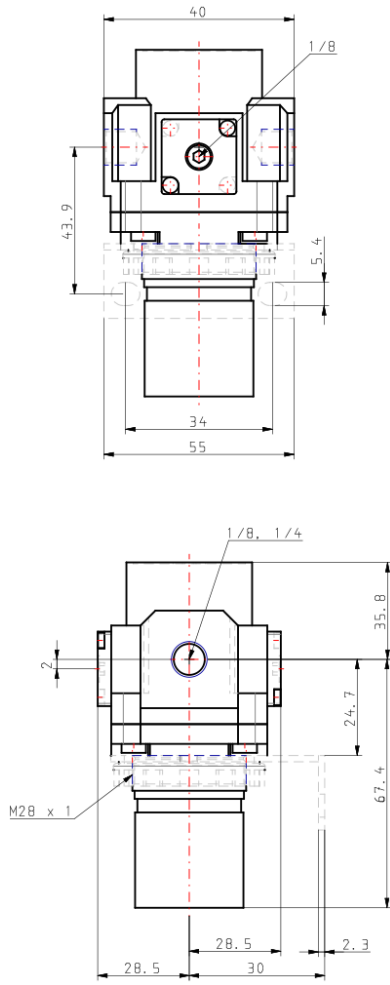
### Data Sheet

Cost effective and clean looking, series AR-B regulators offer various pressure range settings to accommodate most applications. The locking adjustment knob prevents accidental setting changes. The modular design of the AR series connects with other SMC air preparation equipment.

## Standard Specifications

Made to Order 1	None
Body Size	20
Backflow Function	None
Thread	G
Port	1/4
Option	Standard
Semi-standard	Standard
Made to Order 2	None
Pressure medium	Air
Maximum temperature of pressure medium	60 °C
Minimum temperature of pressure medium	-5 °C [with no freezing]
Maximal operating pressure	1.0 MPa
Proof pressure	1.5 MPa
Maximum ambient temperature	60 °C
Minimum ambient temperature	-5 °C [with no freezing]
Conform to the European RoHS Directive	Conform
Approvals	No need
Weight	0.163 kg

# Dimensions

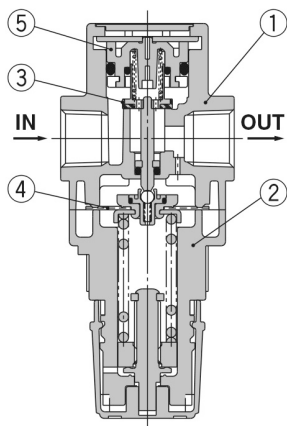


Specifications are subject to change without prior notice and any obligation on the part of the manufacturer.

# Constructions

## Construction

### AR20(K)-B/AR25(K)-B



### Component Parts

No.	Description	Material	Model	Colour
1	Body	Zinc die-cast	AR10-A	White
		Aluminium die-cast	AR20(K)-B to AR60(K)-B	
2	Bonnet	Polyacetal	AR10-A	White
			AR20(K)-B to AR40(K)-B	
		Aluminium die-cast	AR50(K)-B/AR60(K)-B	

### Replacement Parts

#### [AR10-A]

No.	Description	Material	Part no.
3	Valve	HNBR	AR10P-090S
4	Piston assembly	Polyacetal	AR10P-150AS
5	Valve guide assembly	Polyacetal	131329

#### [AR20(K)-B to AR60(K)-B]

No.	Description	Material	Part no.	
			AR20(K)-B	AR25(K)-B
3	Valve	Brass, HNBR	AR20P-410S	AR25P-410S
4	Diaphragm assembly	Weatherable NBR	AR20P-150AS	AR25P-150AS
5	Valve guide assembly	Polyacetal	AR20P-050AS	AR25P-050AS
6	Check valve assembly *1	—	AR23KP-020AS	

\*1 Check valve assembly is applicable for a regulator with backflow function (AR20K-B to AR60K-B) only.  
 Assembly of a check valve cover, check valve body assembly and 2 mounting screws

## Additional information

Catalogue	<a href="#">AC-B-B_EU.pdf</a>
Installation Manuals	<a href="#">IM_ARx_SMV43EN.pdf</a>

## Related Products



**AL20-F02-A**  
AL10-60-A, Lubricator



**AF20-F02-A**  
AF10-60-A, Modular Style, Air Filter